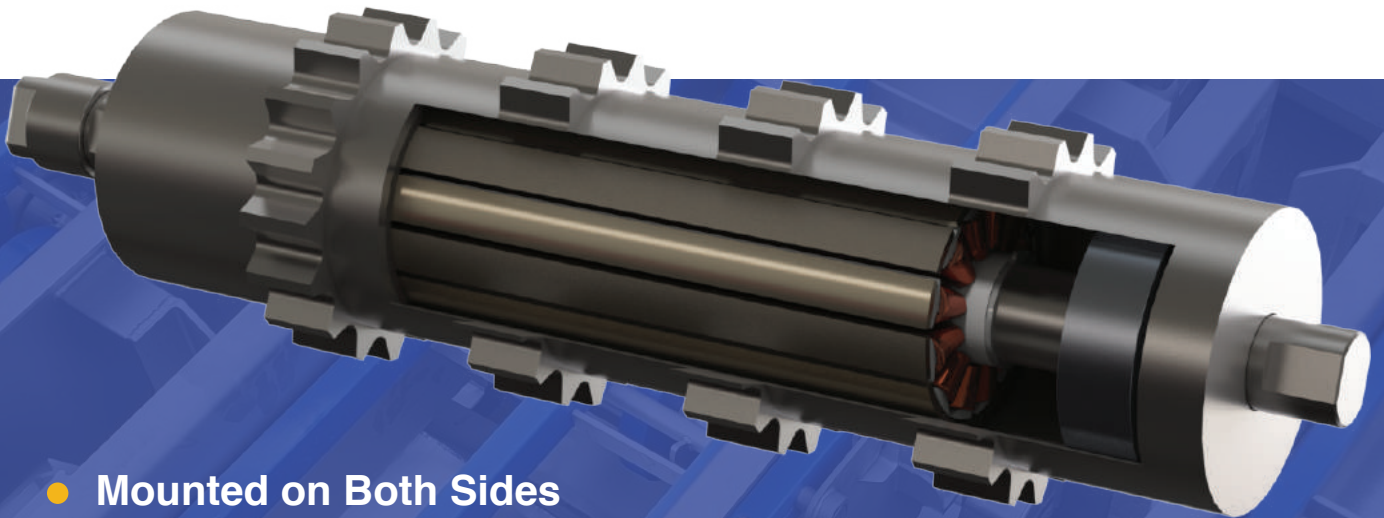


THE POWERED PULLEY

by One Motion™

A member of the mag-drive family, the hub is powered using magnetic direct drive technology. A large array of specially shaped magnets are lined inside the shell. Rotary motion is then created by applying electromagnetic force to magnets.

This simple design eliminates the need for a motor and gearbox. With no external drivetrain, the hub offers a hygienic drive solution that is free of crevasses where food debris and bacteria hide.



- Mounted on Both Sides
- Custom Shell Profile to Fit Any Belt
- Washdown Safe / Easy to Clean



HIGHLY EFFICIENT

In a conventional motor / gearbox system, electrical energy is wasted as it passes through each rotating component before reaching the final mover.

The powered pulley has only one transfer of energy. Electrical power is used for direct mechanical rotation (watts to torque).

INCREASED RELIABILITY

Downtime as a result of equipment failure is costly. The loss of a single piece of equipment can halt production and lead to product and revenue loss. Some studies have shown that downtime for a typical food packaging line can result in \$15,000 per hour of lost revenue.

By using fewer rotating components than gearmotors, the pulley keeps your conveyors, processes, and machinery running.

The simple design uses no more than 2-3 bearings, is maintenance-free and comes with an industry-leading 3-year warranty.

HYGIENIC DESIGN

No external fasteners are needed as the shell profile can be customized to fit any belt. This leaves no room for harborage points and makes the pulley quick and easy to clean.

ADDED PERFORMANCE

The powered pulley offers constant torque over a wide speed range. Being a gearless design, there is no need to adjust gear ratio. Easily adjust speeds using most popular variable frequency drives.

The high-performing pulley can be used for numerous applications, such as indexing / grouping product.



CUSTOM DESIGNED TO FIT YOUR NEEDS

Where conventional solutions require a sizable investment for custom design, an advantage of the mag-drive is the cost effective and easy integration into existing machinery.

One Motion engineers design, develop and build innovation into packaging automation products. With our “First Time Right” methodology, our accomplished engineers move from concept to prototype in a timely manner.



To learn more about the powered pulley and mag-drive technology, visit:

www.OneMotion.info

 (479) 358-1173  sales@onemotion.info

